

**Miele**

# 36" Pearl Wall Ventilation Hood

DA 6998 W



## 36" Pearl Wall Ventilation Hood

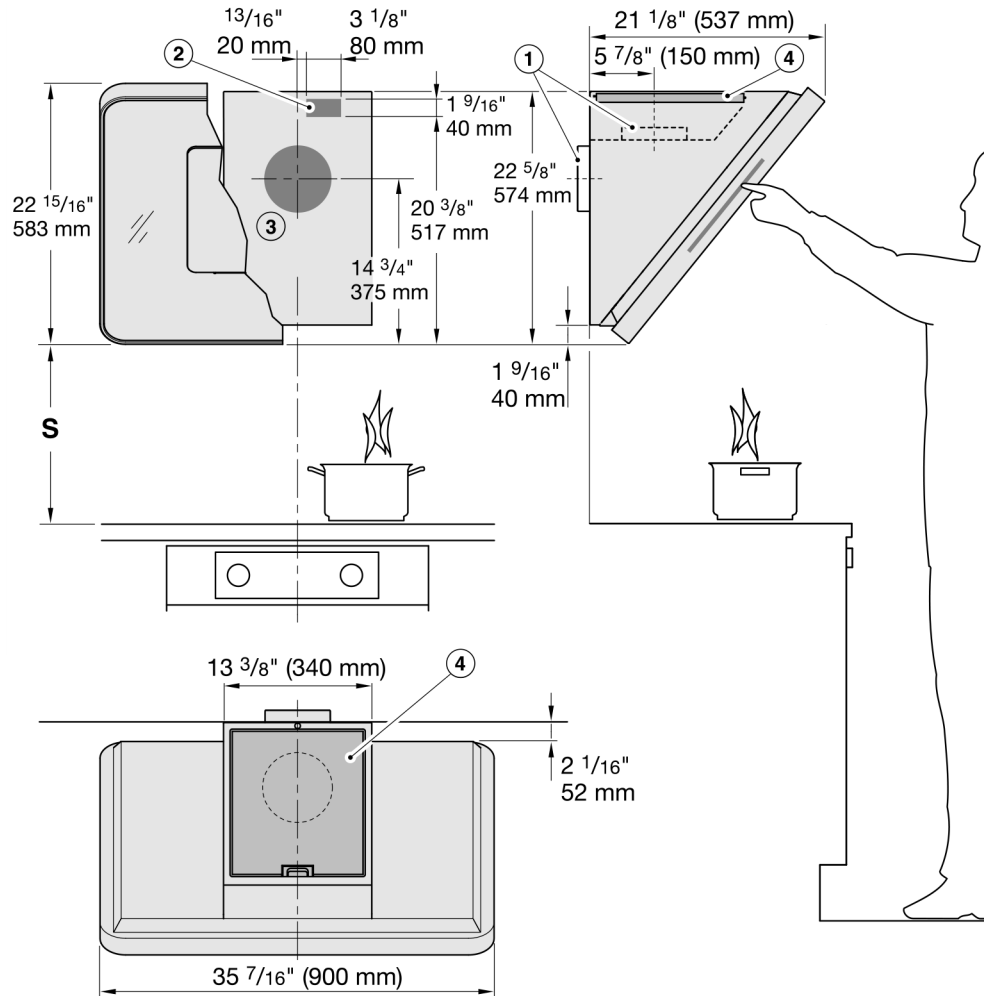
SPECIFICATIONS	
Overall Unit Dimensions	35 <sup>7</sup> / <sub>16</sub> " (900 mm) W x 22 <sup>15</sup> / <sub>16</sub> " (583 mm) H x 21 <sup>1</sup> / <sub>8</sub> " (537 mm) D
<b>Fan</b>	
Fan Speeds	4, Including Intensive setting
Maximum CFM	625 CFM, (Reducing Collar is available to reduce air flow to less than 400 CFM)
<b>Duct</b>	
Recommended Duct Diameter	6" (150 mm)
<b>Electrical</b>	
Electrical Requirements	120V, 60Hz, 15A
Power Cord	Molded NEMA 5-15 plug, 2.5 ft (0.75 m)
Electrical Rating	372.5 W (Blower: 350 W; Overhead Lighting: 9.7 W, Glass lighting: 12.8 W)
<b>Optional Accessories</b>	
Chimney Attachment	DADC 6000 BRWS
OdorFree Charcoal Filter	DKF 25-900
CFM Reducing Collar	R2000
Remote Control	DARC6
<b>Shipping</b>	
Shipping Weight	101.5 lbs (46 kg)
Shipping Dimensions	34 <sup>7</sup> / <sub>8</sub> " W x 25" H x 41" D
<b>Support</b>	
Call Miele	(800) 999-1360
Miele Website	<a href="http://www.mieleusa.com">www.mieleusa.com</a>
20/20 Link	<a href="http://2020technologies.com">2020technologies.com</a>



DA 6998 W  
Item 28699830USA

## 36" Pearl Wall Ventilation Hood

### INSTALLATION SPECIFICATIONS



- ① Extraction ducting upwards or to the rear.
- ② Cut-out for ventilation hoods with hard-wired connection rather than a plug.
- ③ 7 7/8" (200 mm) Ø cut-out ensures sufficient space through the wall for the extraction ducting to flex.
- ④ Ventilation outlet for recirculation mode. A gap of at least 11 11/16" (300 mm) must be maintained between the top of the ventilation hood and the ceiling or any furniture above it.

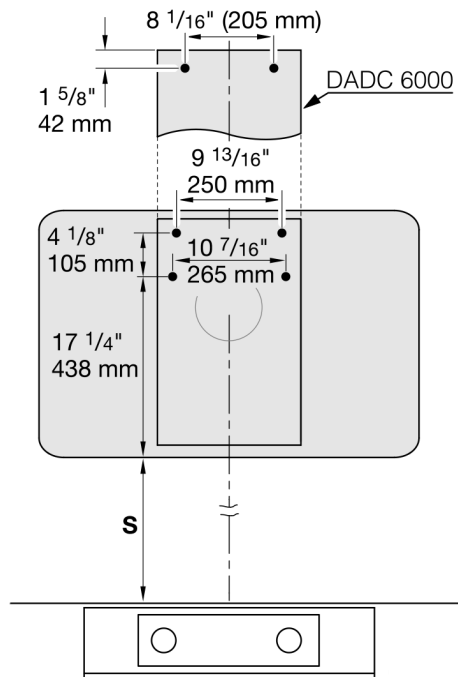
Vent collar Ø 6" (150 mm), with adapter Ø 5" (125 mm).

Please observe installation positions for the socket and for the ducting outlet shown on the relevant drawings when using the DADC 6000 canopy.

## 36" Pearl Wall Ventilation Hood

### INSTALLATION SPECIFICATIONS

#### Mounting Details



- Center unit over cooking surface
- Distances "S" is determined by the cooking surface. See "Distance between cooktop and hood (S)" dimensions.
- If studs are not available in the required locations, a plywood backing (min. 1/2" (13 mm)) **MUST** be used to reinforce support. Reinforcing material should be affixed to structural wall members. Failure to adequately support the weight as stated may result in the ventilation system falling off the wall, causing personal injury and property damage.

## 36" Pearl Wall Ventilation Hood

### INSTALLATION SPECIFICATIONS

#### Distance Between Cooktop and Ventilation Hood (S)

#### Distance between cooktop and ventilation hood (S)

Provided a larger distance is not given by the manufacturer of the cooktop, follow the minimum safety distances between a cooktop and the bottom of the hood.  
Please also observe the information contained in the "IMPORTANT SAFETY INSTRUCTIONS" section.

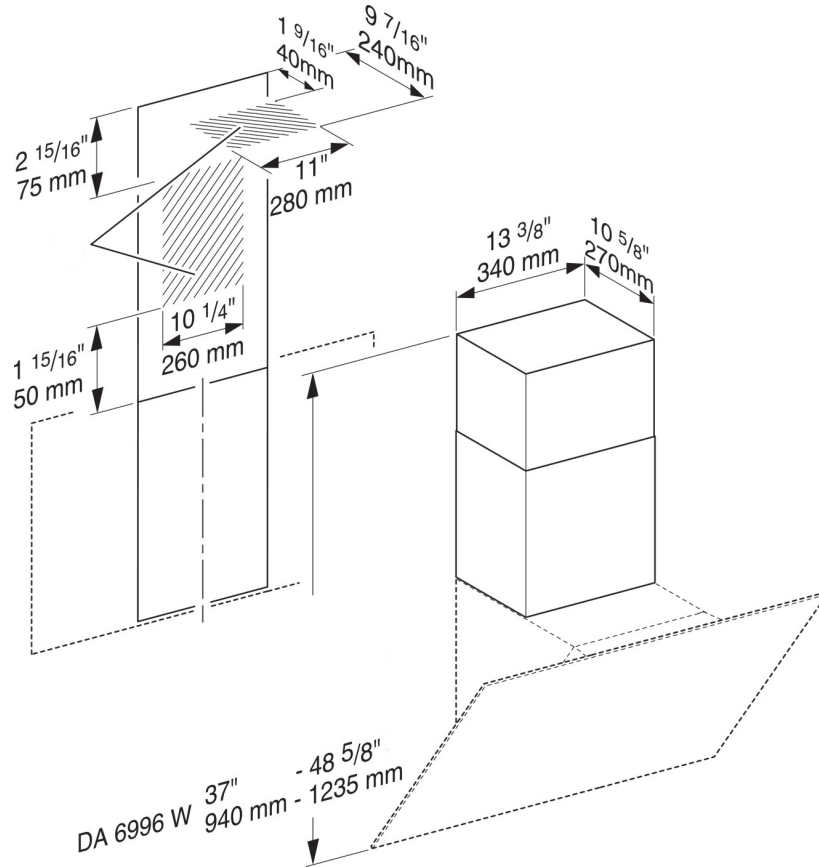
Cooking appliance	Minimum distance S	
	Miele appliance	Non-Miele appliance
Electric Cooktops	24" (610 mm)	
Electric Barbeques and Fryers	26" (660 mm)	
Multiburner Gas Cooktops ≤ 43,000 BTU/hr (12.6 kW), no burner > 15,000 BTU/hr (4.5 kW).	26" (660 mm)	30" (760 mm)
Multiburner Gas Cooktops ≤ 73,800 BTU/hr (21.6 kW), no burner > 16,500 BTU/hr (4.8 kW)	30" (760 mm)	
Multiburner Gas Cooktops > 73,800 BTU/hr (21.6 kW), or one of the burners > 16,500 BTU/hr (4.8 kW)	Not possible	
Single Burner Gas Cooktops ≤ 20,500 BTU/hr (6 kW)	26" (660 mm)	30" (760 mm)
Single Burner Gas Cooktops > 20,500 BTU/hr (6 kW) ≤ 27,600 BTU/hr (8.1 kW)	30" (760 mm)	
Single Burner Gas Cooktops > 27,600 BTU/hr (8.1 kW)	Not possible	


## 36" Pearl Wall Ventilation Hood

### INSTALLATION SPECIFICATIONS

Optional Chimney Details

DADC 6000 BRWS



 Cut out area in wall or ceiling for entrance of 6" (150 mm) ductwork or 5" (125 mm) ductwork with a reducing collar.